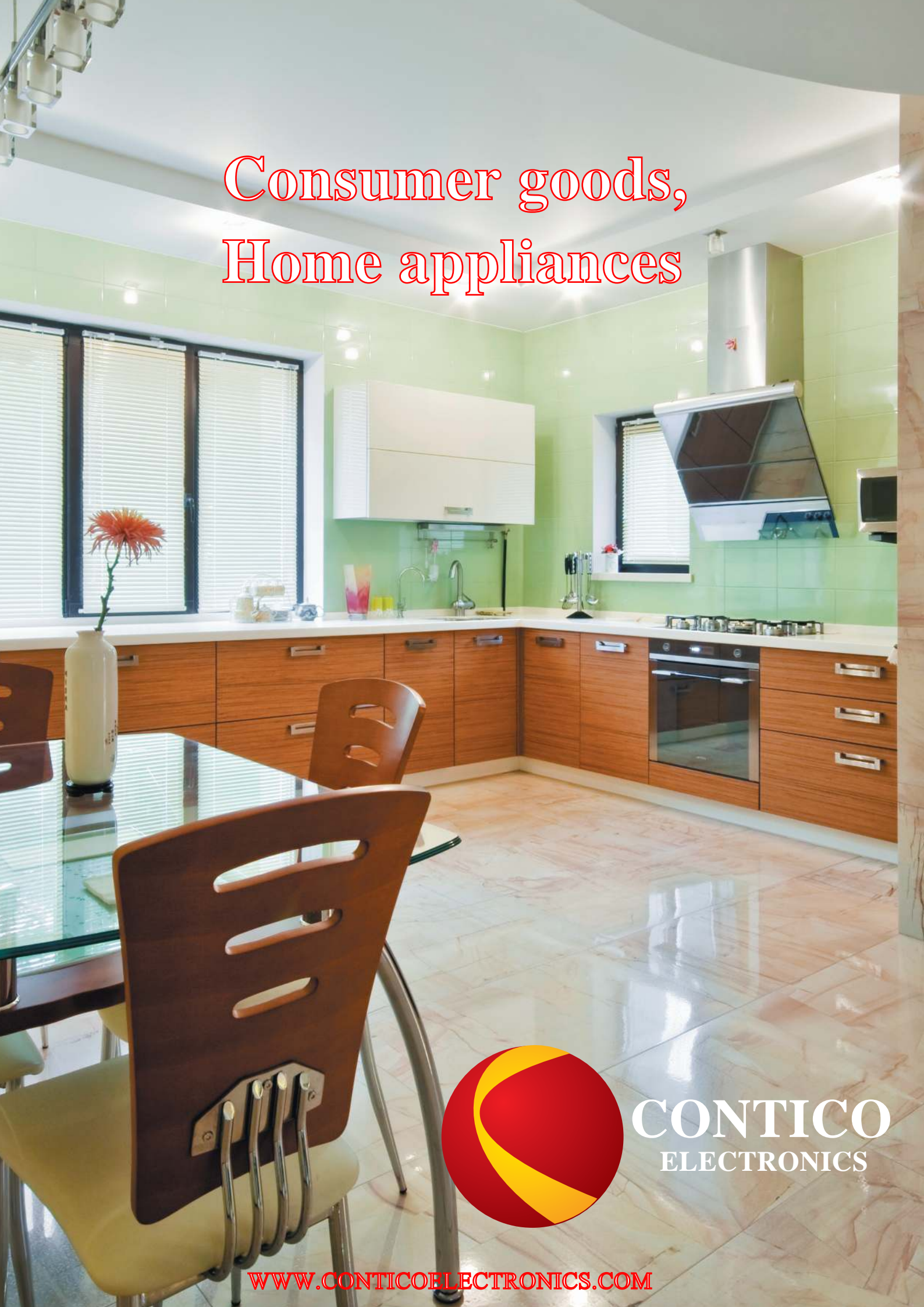


Consumer goods, Home appliances



CONTICO
ELECTRONICS

WWW.CONTICOELECTRONICS.COM

Consumer Goods, Home Appliances

Consumer Goods industry has taken on the task to simplify matters of every day life and make them easier, more reliable and most cost effective, while keeping a close regard for environmental impact. Nowadays, micro-processors control functions in typical household appliances from washing machines and dryers to refrigerators to induction stoves.

Technical advances, simplicity, modularization and cost effective designs of modern home appliances, enable every amateur do-it-yourselfer to turn into a professional, able to repair just about any device. Photovoltaic systems do facilitate decentralized electricity supply, intelligent house has become reality

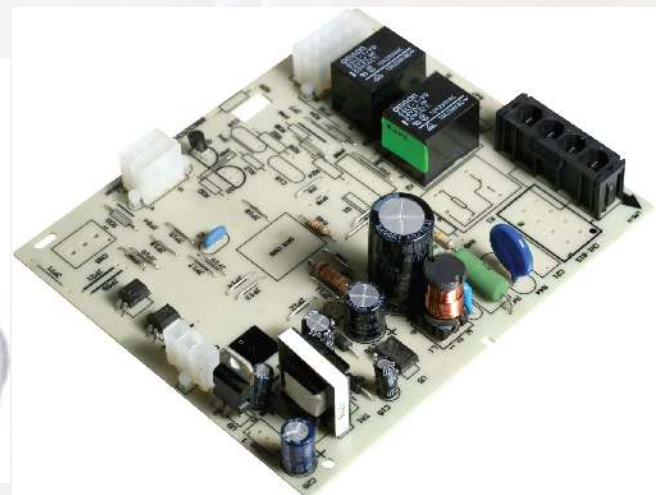
Contico's inductive components, power supplies and electronic control modules, ensure reliable and careful charging of accumulators, provide Safety Electric Low Voltage (SELV) and support speed control of state-of-the-art drives in the low power range.



Environmental compatibility of our pre-materials and their recyclability on one hand and absolute safety for the user on the other hand constitute an extraordinary obligation for us and therefore stand at the beginning of any development.

Contico is a preferred partner with many large, top 100 global, Consumer Goods manufacturers, to whom we provide goods all over the world.

Contico manufacturing strategy, combined with state of the art electronic design capabilities, done in tight collaboration with world recognized Universities and Academia, insures total customer satisfaction. Bright young engineers and strategically located R&D and factories, insures for all our customers, a feeling of local services and values.



Customize your product - contact us!


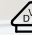
Product examples

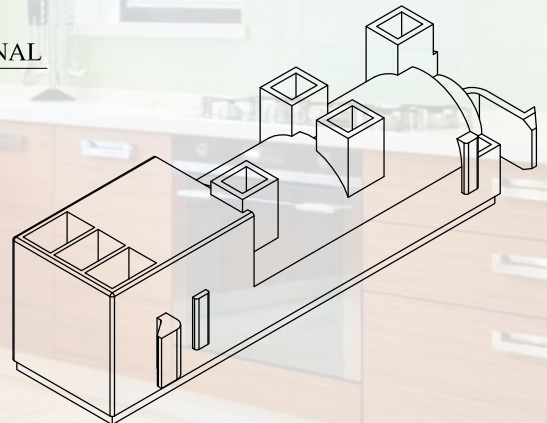
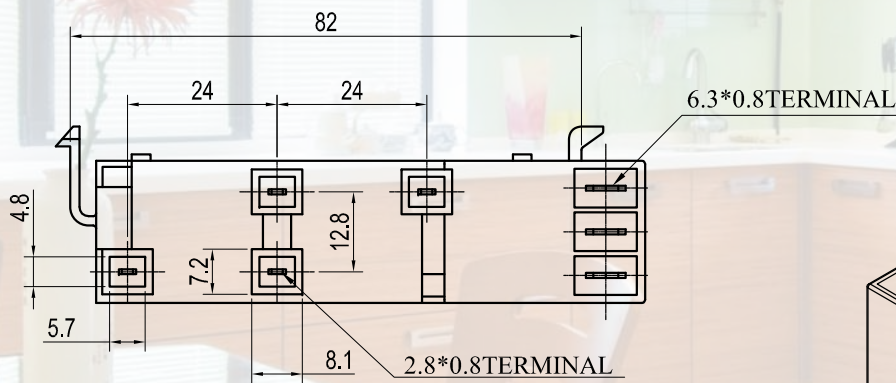
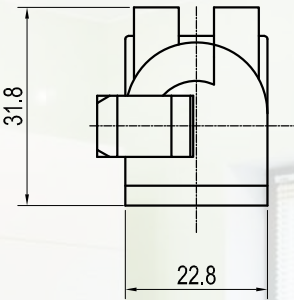
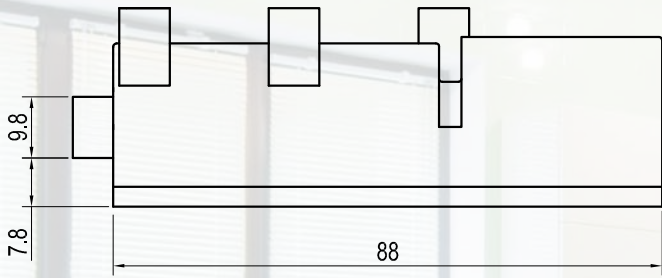
Pulse Igniter

Pulse Electric Igniters are very important part of the modern cooker stove.

- long lifetime is guaranteed
- Client customization is possible!

Specifications:

Power Voltage: 220~240Vac
 Power Frequency: 50-60Hz
 Rated Power: 0.6VA
 Max. Ambient Temperature: 120°C
 Spark Gap: $\geq 4\text{mm}$
 Spark Energy: $\geq 2\text{mJ}$
 Sparking Frequency: 1.5-3.5Hz
 Box Material: PA66+25%F.V. V0
 Life: $\geq 1,000,000$ Sparks
 Approvals:  

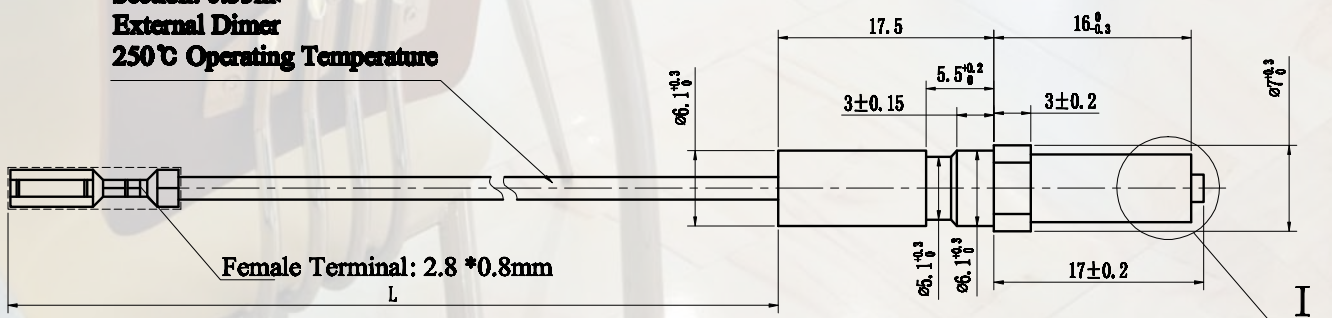


Spark Plug

Spark Plugs are very important part of the modern cooker stoves, and, heating boilers.

- long lifetime is guaranteed
- Client customization is possible!

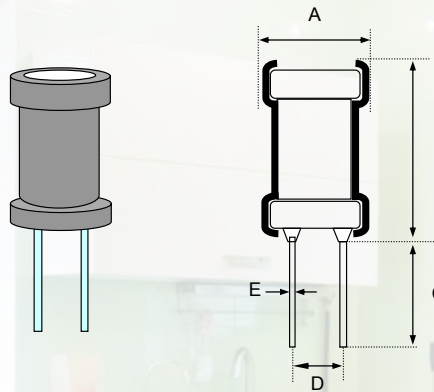
Teflon
Section: 0.35mm
External Dimer
250°C Operating Temperature



Radial choke coils

Radial choke coils used in electronic components of modern kitchen robots and machines.

- durable and reliable
- Client customization is possible!

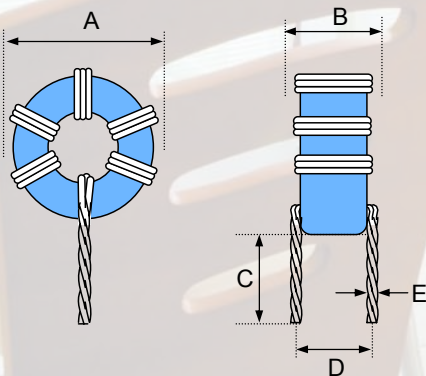


Toroidal coils

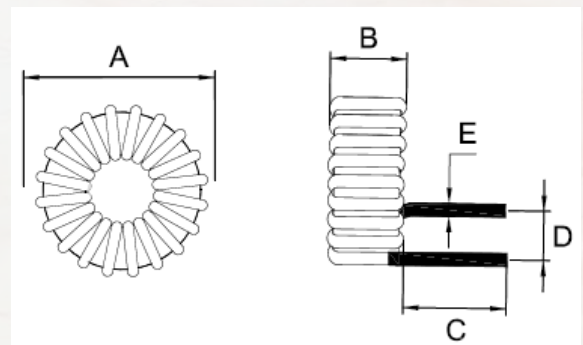
Toroidal coils are used in electronic components of modern kitchen robots and machines.

- durable and reliable
- Client customization is possible!

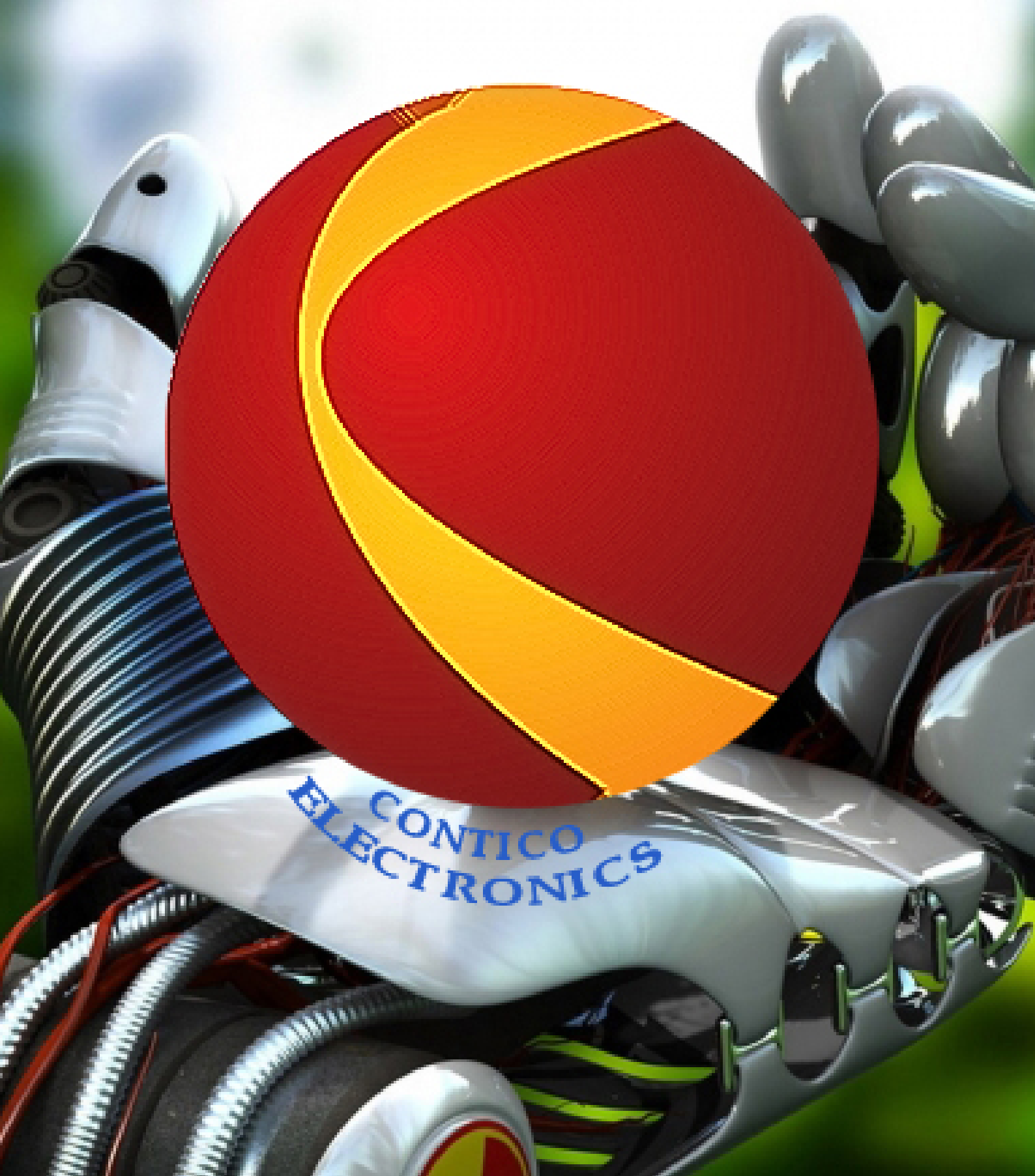
TCV Type



TCH Type



**For the complete product range please
aces www.conticoelectronics/download or contact us!**



CONTICO Technologies & Contico Electronics . All Rights Reserved. CONTICO and CONTICO LOGO. CONTICO reserves the right to alter specifications without notice at any time.

Romania Location

5A Lapusului str.
Baia Mare 430053
Maramures, Romania
Tel: +40-262-212 500
Fax : +40-362-415 050

China Location

A1811,Fenglin International centre,
Jixiang zhong Road ,Longgang district,
Shenzhen,China
Tel: +86 755 3383 0926

www.conticoelectronics.com