

# Military and Aerospace



**CONTICO**  
ELECTRONICS

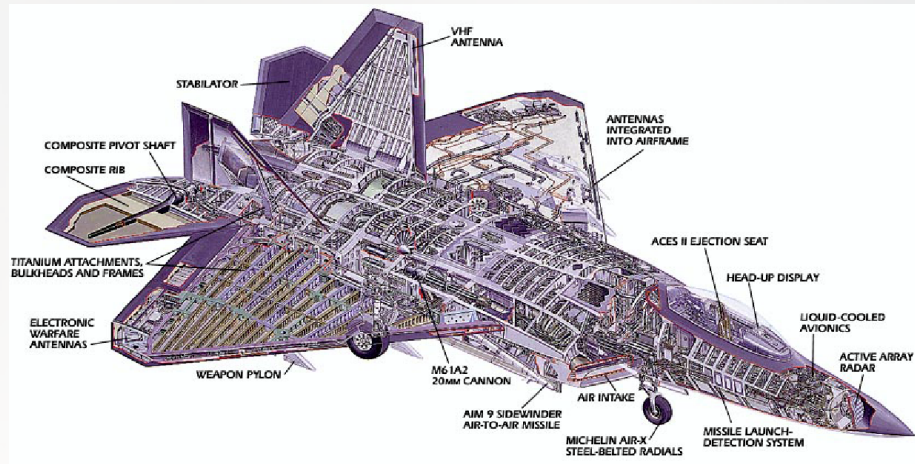
[WWW.CONTICOELECTRONICS.COM](http://WWW.CONTICOELECTRONICS.COM)

## Military and Aerospace

Contico Technologies, specializes in designing, marketing and production of transformers, inductors for high performance applications in Military and Aerospace electronics applications. With rich experience, Contico Technologies, is a leading company in the world of magnetic components, electronic modules and power solutions.

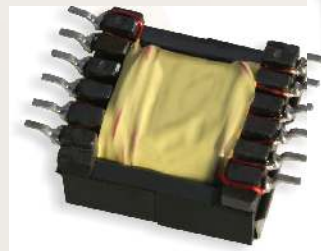
Our expertise is recognized by our customers for the explanation of magnetic phenomena in the design of components and understanding of their applications. Our success is also reflected in our technology solutions already qualified, which allow us to respond quickly to specific needs of our customers.

Our components are present in many Military and Aerospace applications, from flight control computers, to telecomequipment for command post, or personal communication devices, to RPV vehicles, and many other applications.



Inductive components produced by Contico undertake a multitude of tasks with a high degree of precision and reliability in these devices, including the sending and receiving of information, supplying backlighting for LCD screens, securing stand-by operation and of course, also compliance with the applicable EMI and military standards.

We provide certifications and test data, with all our military products, to certify our quality levels. Contico can also supply products built, based on best commercial standards, products that are cost effective, but also reliable and can perform just as good as fully certified military products, in the field.



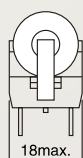
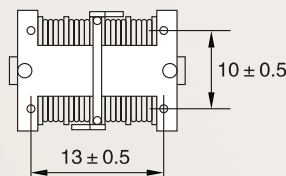
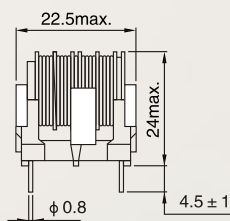
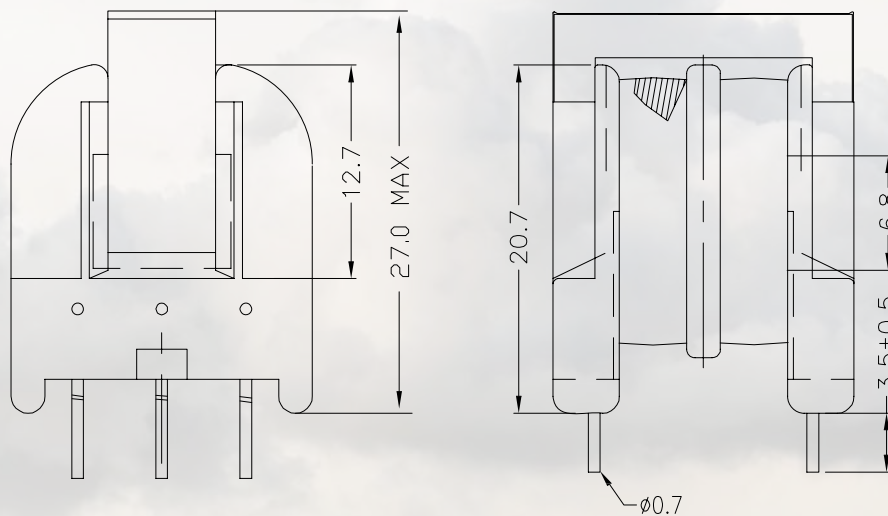
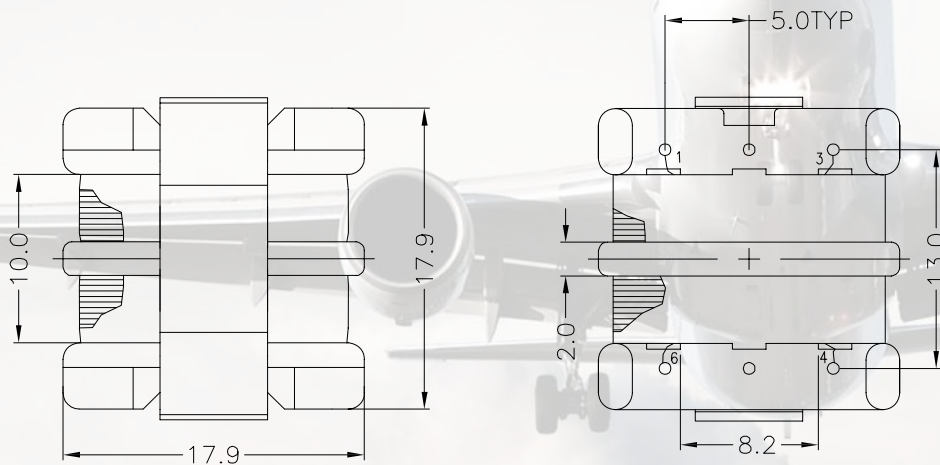
Customize your product - contact us!

# Product examples

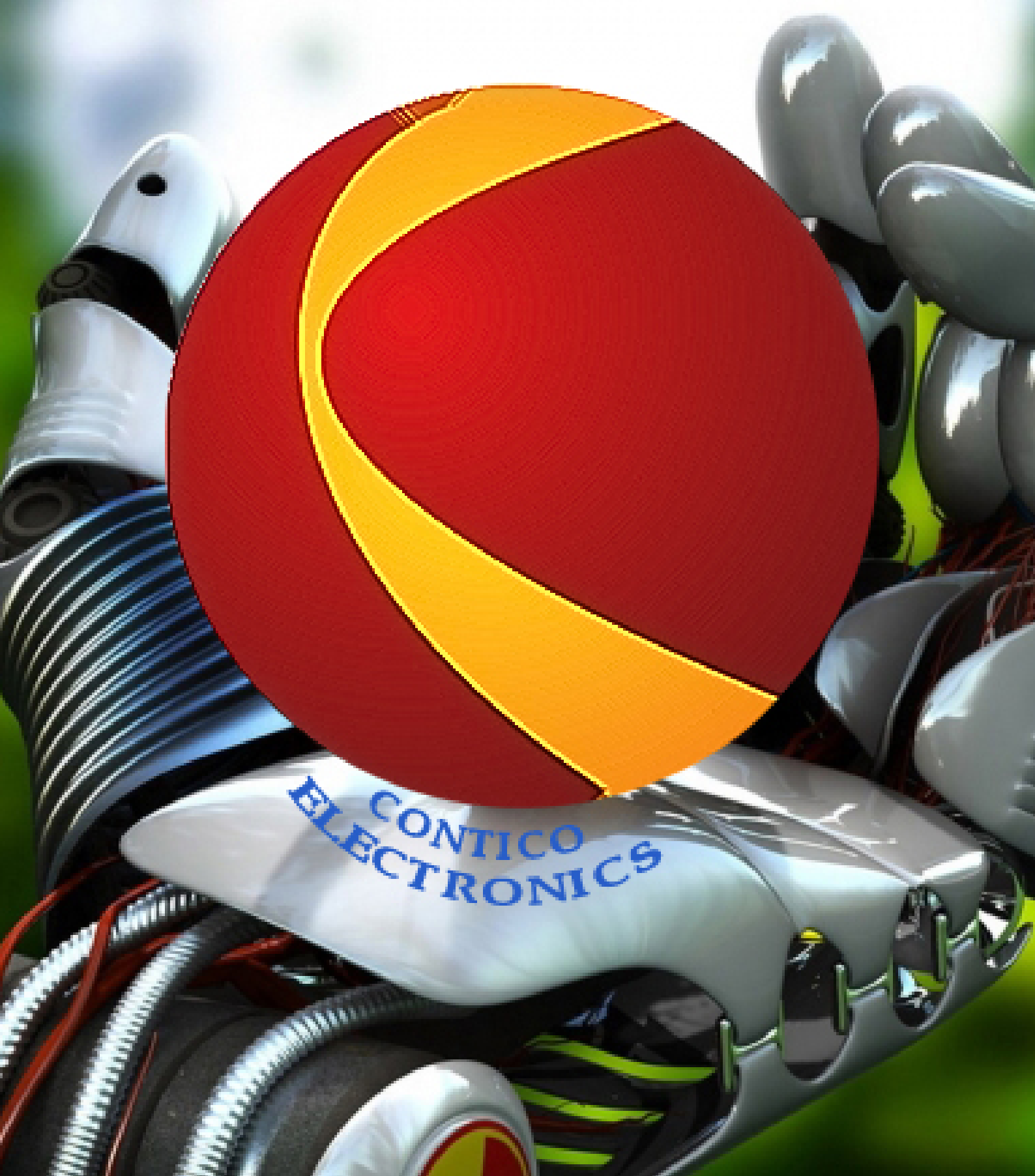
## Transformers & Chokes

Our highly reliable Transformers and Chokes are used in military and aeronautics.

- Various models and types are available
- Military standards and certifications
- Client customization is possible!







CONTICO Technologies & Contico Electronics . All Rights Reserved. CONTICO and CONTICO LOGO. CONTICO reserves the right to alter specifications without notice at any time.

### Romania Location

5A Lapusului str.  
Baia Mare 430053  
Maramures, Romania  
Tel: +40-262-212 500  
Fax : +40-362-415 050

### China Location

A1811,Fenglin International centre,  
Jixiang zhong Road ,Longgang district,  
Shenzhen,China  
Tel: +86 755 3383 0926

[www.conticoelectronics.com](http://www.conticoelectronics.com)